

- Carrello
- Magazine

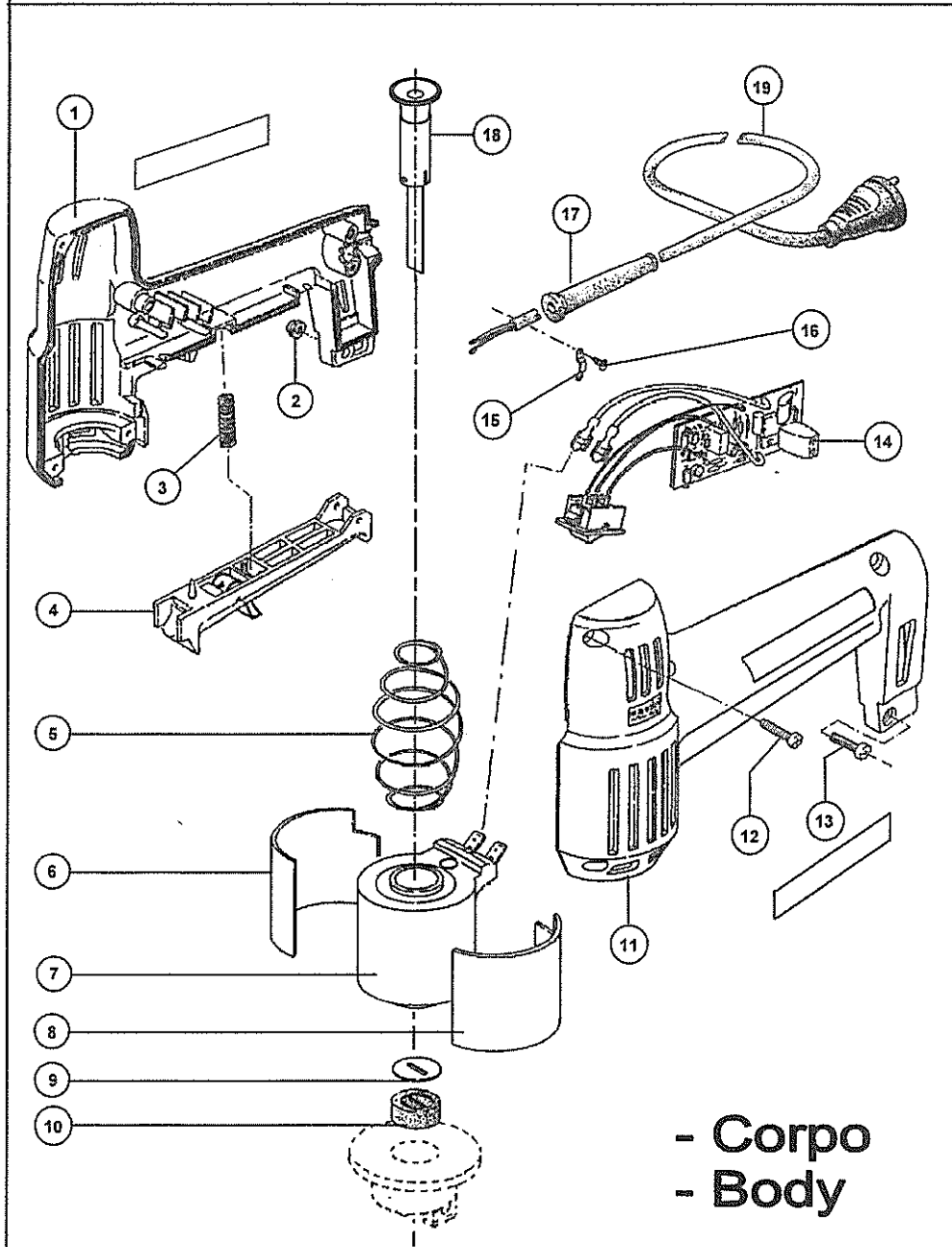
| Rif.No. | Codice / Code |
|---------|---------------|
| 1 | 62093 |
| 2 | 51002 |
| 3 | 71031 |
| 4 | 42178 |
| 5 | 70356 |
| 6 | 70350 |
| 7 | 40017 |
| 8 | 70351 |
| 9 | 70598 |
| 10 | 61012 |
| 11 | 62094 |
| 12 | 50203 |
| 13 | 50004 |
| 14 | 40012 |
| 15 | 70352 |
| 16 | 50028 |

| Rif.No. | Codice / Code |
|---------|---------------|
| 17 | 61006 |
| 18 | 42899 |
| 19 | 40051 |
| 20 | 70821 |
| 21 | 71220 |
| 22 | 70819 |
| 23 | 54005 |
| 24 | 71405 |
| 25 | 70802 |
| 26 | 42694 |
| 27 | 62283 |
| 28 | 50205 |
| 29 | 62490 |
| 30 | 54011 |
| 31 | 71590 |
| 32 | 70801 |

| Rif.No. | Codice / Code |
|-------------------------|---------------|
| 26+28+29 | 42693 |
| 26+27+28+29 30+31+32 | 42692 |

- RICAMBI CONSIGLIATI
RECOMMENDED SPARE PARTS
PIECES DE RECHANGE
RECOMMANDEES
EMPFOHLENE ERSATZETEILE
REPUESTOS ACONSEJADOS

Fissatrice Elettrica Mod. ME 80 AUSTRALIA
Electric Tacker Cod. 0211116



- Corpo
- Body



For sales, service and spare parts

www.apm-mouldings.com.au

APM Mouldings 120-130 Bolinda Rd Campbellfield, VIC 3061
Ph: 03 8301 9199 | Fax 03 9357 4077 | Email apmoffice@chamton.com
www.apm-mouldings.com.au

Australian Owned Family Company
Quality Moulding Manufacturers and Distributors



FOR ORDERS
Available 24/7

